



Worlds Lightest

MIKE PAYNE

Sales Professional

Cell: 352-638-8522

michael@villagestreetrod.com

Main: 352-751-3953

info@villagestreetrod.com

www.villagestreetrod.com

11962 CR 101 Suite 101

The Villages, FL 32152

M T W TH F S



AIR HAWK

Function:

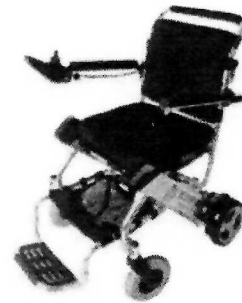
The Air Hawk Weights Only 41 Lbs & Folds Into A Compact Space Of Only 27 3/4" High x 23 1/4" Wide x 12 1/4" Thick

Features:

- 1) Colorful coating foldable aluminum frame
- 2) Fixed footrest with forward and backward foldable footboard, which is also suitable for long leg customers.
- 3) Adjustable back belt, flip-up armrest, detachable back cushion, detachable seat cushion, washable seat cushion cover.

Specification

Seat Width	16 3/4 Inch
Seat Height	18 1/2 Inch
Backrest Height	15 3/4
Net Weight	41 Lbs
Weight Capacity	264 Lbs
Caster	8" x 2" Shock Absorbing Caster's
Rear Wheel	8" x 2"
Motor	180W X 2 Brushless Motor's
Lithium Battery	24V10AH / 24V 6AH for airplane use
Max speed	4 Mph
Gradeability	12°
Charging Time	5 Hours
Driving Range	13 Miles Per Battery
Overall size	35" Length x 23" Wide x 35" High
Folded Size	27 3/4" High x 23 1/4" Wide x 12 1/4" Thick
Shipping Package Siz	725 x 400 x 845mm



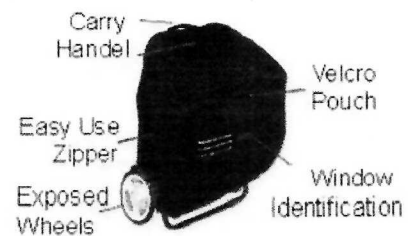
Turning Radius: 26 Inches

Warranty: 1 Year (In Home Service)

Solid Light Weight Alluminum Alloy Frame

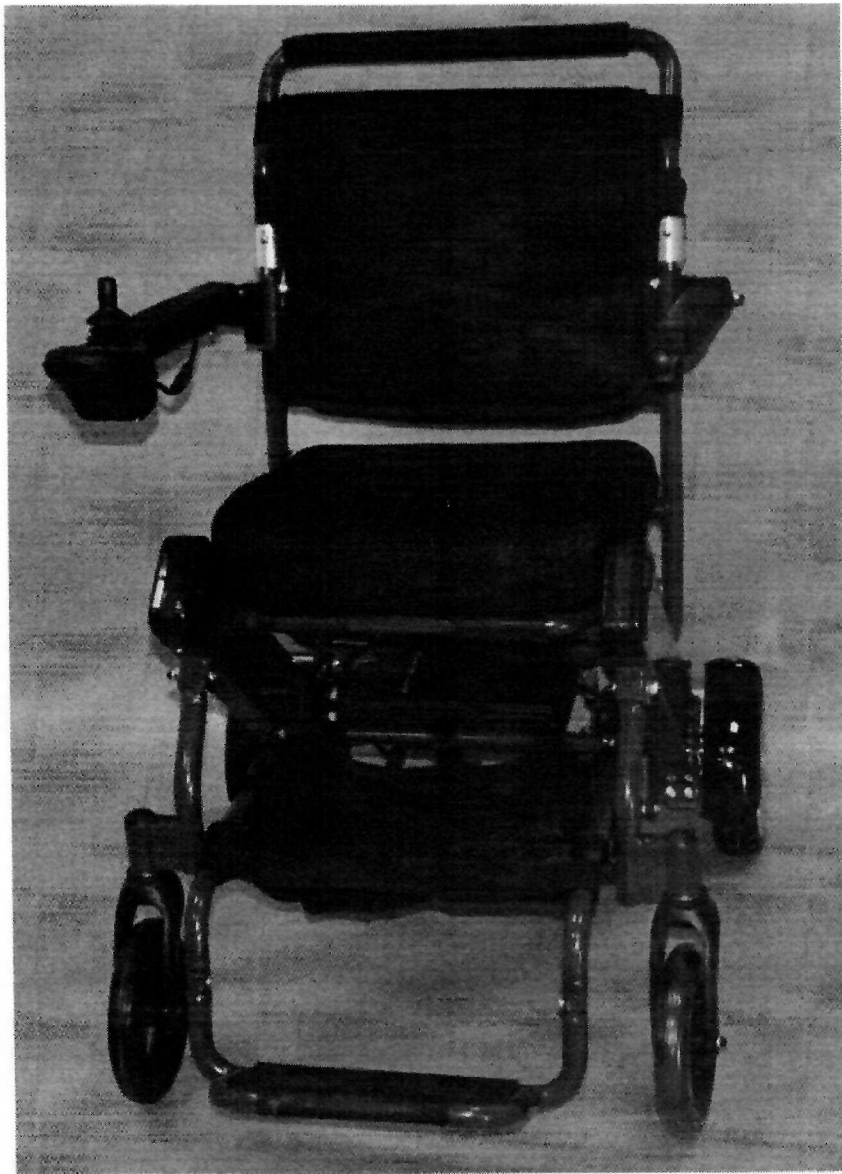
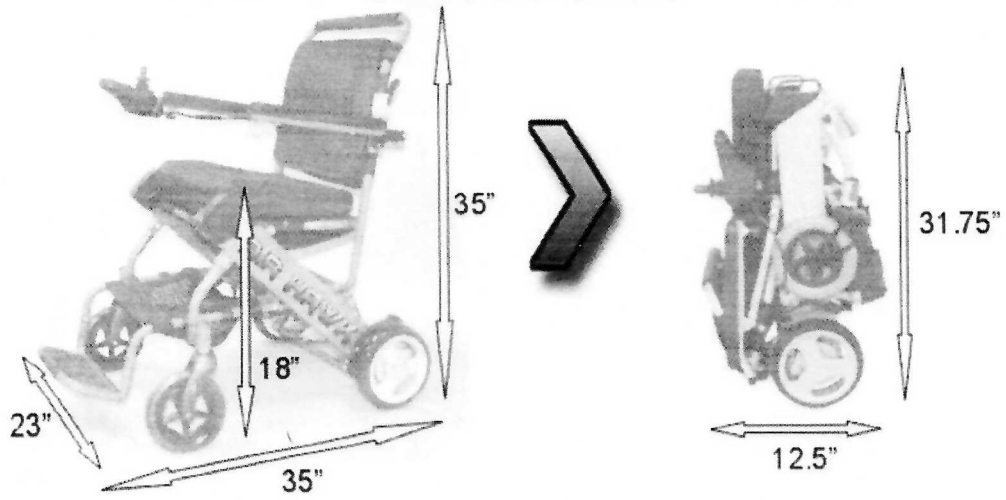
30 Day Unconditional Money Back Guarantee Return Policy

Protect Your Air Hawk Lightweight Electric Wheelchair From Damage When Traveling Or Transporting By Using The Heavy Duty All Weather Nylon Cover. Included At No Charge When You Purchase Your Air Hawk Portable Folding Power Wheelchair.



Are You Having Trouble Getting Around?
 Finding it difficult getting to stores, or gatherings with your loved ones?

Unfolded **AIR HAWK** Folded





The Air Hawk Foldable Wheelchair is Made Of A Light Aircraft Quality Aluminum Alloy Making It Very Strong As Well As Very Lightweight. Constructed Of A Lightweight Aluminum Alloy The Air Hawk Lightweight Power Wheelchair Has Given Many People The Freedom To Travel. The Air Hawk Will Fit In The Trunk Of Any Car And Weighs Less Than Most Luggage. Taxi Drivers Have No Problem With The Air Hawk, They View It Just Like Luggage.



The Air Hawk Lightweight Electric Wheelchair Has Two High Performance Hub Motors As Well As Anti Tip Wheels Allowing The Air Hawk Folding Electric Wheelchair To Take On Steep Inclines & Hills Safely And Effortlessly. Also The Air Hawk Lightweight Electric Wheelchair Is The Only Folding Electric Wheelchair

Having A Second (Extra) Battery Also Gives You A Piece Of Mind Knowing If One Fails The Other Battery Is All That Is Required To Continue Operating Your Air Hawk Traveling Wheelchair.

Dual Quick Release Batteries



Traveling Has Never Been Easier As The Air Hawk Traveling Electric Power Wheelchair Is Recommended By Many Major Airlines & Cruise Lines Throughout The World. You Will Find That There Are Many Portable Scooters, However Many People Are Unable To Use A Scooter And Need A Traveling Wheelchair With The Joystick Controller. The Air Hawk Lightweight Power Wheelchair Has A Universal Joystick Control That Can Easily Be Moved From Left Arm To Right And Back Again In Under A Minute. The Air Hawk Traveling Wheelchair Is Truly The Worlds Lightest Traveling Power Wheelchair Weighing Only 41 Pounds. The Lithium Batteries And The Air Hawk Traveling Wheelchair Are Both FAA Approved In Addition To Being UN Certified.

The Air Hawk Lightweight Power Wheelchair Has A Durable High Quality Automotive Finish That Is Extremely Resistant To Scratches & Chips, However In The Event You Would Like The Ability To Touch Up Scratches If They Should Occur Over The Years We Have Made Touch Up Paint Available Free With Every Order.

Keep It New.!

Touch Up Paint.



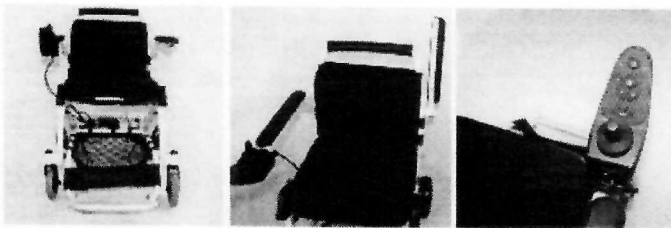
2 Full Year Warranty



The Air Hawk comes with a two year warranty. First year parts & labor second year is just parts.

If so, then the Air Hawk personal mobility aid is exactly what you need. Only 41 pounds the Air Hawk can be transported by any vehicle. Meaning it will fit in the trunk or back seat of any car, truck, van or SUV

- * Folds In 5 seconds
- * Adjustable Armrest
- * High Quality Aluminum Aircraft Alloy Frame
- * Detachable Back And Seat Cushion
- * Extra Battery Included Free (Takes You Twice The Distance)
- * Under Seat Basket
- * Able To Drive In Rough Terrain
- * Tight Turning Radius
- * Ability To Charge Onboard Or Off Board
- * Highly Recommended By Airlines & Cruise Lines
- * Lightweight & Durable Based on Independent Lab Testing Folds Very Quick & Is Extremely Compact for Storage.
- * Uses a Lithium Ion Phosphate Battery with 5000 Power Cycles
- * Battery Gets Up to 10+ Miles in Driving Distance Attach Free 2nd Second Battery for Double the Driving Distance
- * Joystick Can Be Mounted on Left or Right Arm Rest
- * Arm Rests Can Be Raised for Easy Side Access to the Seat
- * Has a Removable Seat and Seat Cover for Easy Cleaning
- * Stands Upright on the Rear Wheels When Folded, No Need to Lean It
- * Has a Handle Under the Seat for Easy Lifting from Upright Position
- * Has 4 Wheels Which Makes it More Stable Than a 3 Wheel Scooter
- * Requires No Maintenance
- * Save Money by Not Having to Purchase a Lift on Your Car
- * Significantly Less Expensive than Older Electric Wheelchairs
- * Several Free Accessories



The Air Hawk Light Power Wheelchair Folds In Seconds To Only 12.25" x 23.25" x 27.75" And Only Weighs 41 Pounds With A Weight Capacity Of 264 Pounds. The Average Power Wheelchair Weights 421 Pounds And Must Be Transported Using A Hydraulic Lift. With The Air Hawk Lightweight Power Electric Wheelchair Weighting Only 41 Pounds You Can Now Have The Freedom to Take Your Air Hawk Lightweight Electric Wheelchair Any Where And In Any Vehicle You Need. Any Car, Mini Van, Suv, Truck They Are All Suitable To Transport The Air Hawk Lightweight Power Wheelchair Wheelchair.

The Air Hawk Includes:

Two High Performance Lithium Batteries Providing Both HD Hub Motors With All The Power Required To Take Heavy Loads Up High Inclines And Proving A Total Range Of 26 Miles.

With A Built In Battery Backup So You Will Never Be Caught Out Needing A Charge And Waiting Several Hours Before You Can Continue What Ever It Is You Need To Do.

Lightweight Portable Scooters Have Been Available For Some Time Now Yet Their Are Many People That Do Not Have The Ability To Drive A Scooter As It Requires The Ability & Strength To Steer Similar To A Bicycle. The Air Hawk Lightweight Electric Wheelchair Utilizes A State Of The Art Joystick Controller That Allows A User To Navigate And Drive The Air Hawk Lightweight Electric Wheelchair Using Only One Finger.



Lightweight Electric Wheelchair

<u>Specifications</u>	<u>Imperial</u>	<u>Metric</u>
Weight	41 Pounds	19 kg.
Max Capacity	264.5 pounds	120 kg.
Unfolded Dimensions (LxWxH)	35 in. x 23 in. x 35 in.	89 cm. x 59 cm. x 88 cm.
Folded Dimensions (LxWxH)	31.75 in. x 23.25 in. x 12.25 in.	72.7 cm. x 56.8 cm. x 31.1 cm.
Seat Dimensions (L x W)	16.75 in. x 16.75 in.	42.5 cm. x 39.7 cm.
Seating Height (from ground)	20 in.	50.8 cm.
Arm Rest Height (from ground)	28.25 in.	71.75 cm.
Turning Radius	27.3 in.	69 cm.
Maximum Speed	4 miles per hour	8 km per hour
Distance on Full Battery	26 miles	41.6 km.
Ground Clearance	3.9 in.	10 cm.
Front Wheels (diameter x width)	6 in. x 2 in.	17.1 cm. x 5.1 cm.
Rear Wheels (diameter x width)	8 in. x 2 in.	20.3 cm. x 5.1 cm.
Incline Capability	23% slope (12.44 degrees)	
Wheel Material	A mix of Polyurethane and Rubber (for smoother ride/shock absorption)	
Motor Type	Brush-less Motor, 24V DC, 180W x2 Power Rating	
Battery	Lithium Ion Phosphate, 12Ah (Ampere hour) Capacity, 24V DC Output	
Range <small>With Both Batteries</small>	24 Miles	
Charger	Input: AC 100V-240V -1.8A Max 47Hz-63Hz, Output: DC 29.2V - 2A	
Brake Type	Electromagnetic Brakes	
Frame	Lightweight Strong Aluminum Aircraft Alloy (Light Power Wheelchair)	
Warranty	Two Full Year (Limited Warranty)	